

**3.3V, High Bandwidth, Low Capacitance
12-Bit to 24-Bit Mux/Demux Bus Switch
(16292 Pinout)**

Product Features

- RON is 9 Ohm typical
- Pulldown on B ports
- Near-Zero Propagation Delay
- Industrial Operation Temperature –40C to +85C
- Switching speed: 4.5ns max (for 3.3V operation)
- Channel ON capacitance: 9pF typ.
- VCC Operating Range: +2V to +3.6V
- >100 MHz bandwidth
- Packages Available:
–56-pin TSSOP (A)

Product Description

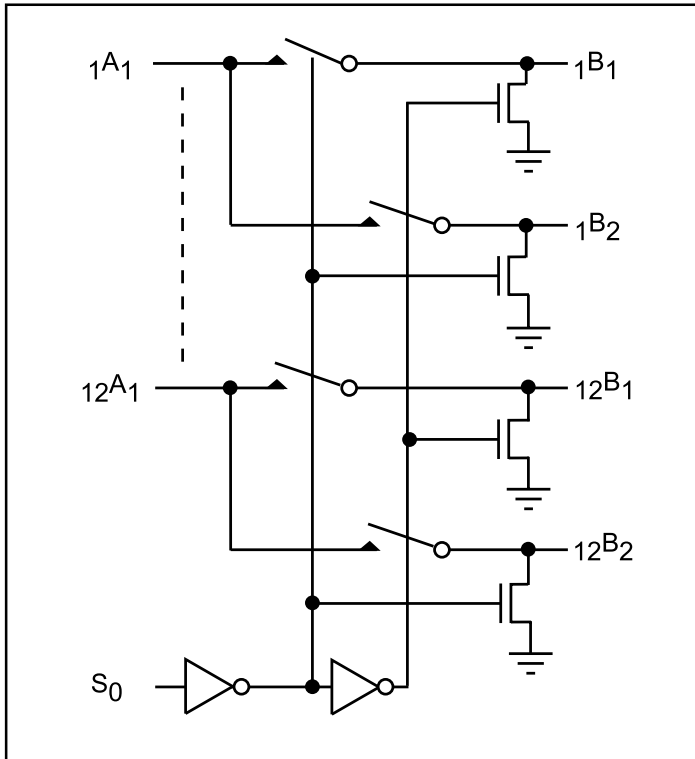
Pericom Semiconductor’s PI3C series of bus switch circuits are produced using the Company’s advanced submicron CMOS technology, achieving industry performance.

The PI3C16225 is a 12-bit to 24-bit, multiplexer/demultiplexer bus switch that provides industry leading advantages such as almost zero propagation delay of 500ps owing to 9ohm channel resistance and low I/O capacitance. A 1 port demultiplexes to either B1 or B2 port and the switch is bidirectional.

Applications

- Provides Memory Module Switching

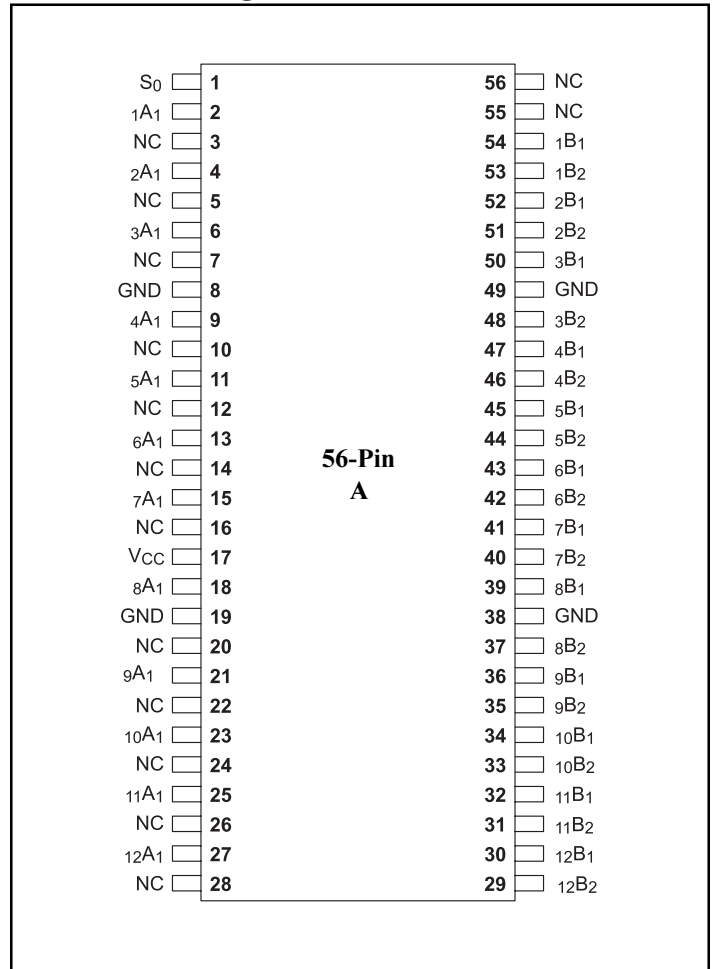
Logic Block Diagram



Truth Table

Function	S ₀
nA ₁ to nB ₁	L
nA ₁ to nB ₂	H

Product Pin Configuration



Maximum Ratings

(Above which the useful life may be impaired. For user guidelines, not tested.)

Storage Temperature	-65°C to +150°C
Ambient Temperature with Power Applied	-40°C to +85°C
Supply Voltage to Ground Potential (Inputs & V _{CC} Only)	-0.5V to +4.6V
Supply Voltage to Ground Potential (Outputs & D/O Only)	-0.5V to +4.6V
DC I/O Voltage	-0.5V to +5.5V
DC Output Current	120mA
Power Dissipation	0.5W

Note:

Stresses greater than those listed under MAXIMUM RATINGS may cause permanent damage to the device. This is a stress rating only and functional operation of the device at these or any other conditions above those indicated in the operational sections of this specification is not implied. Exposure to absolute maximum rating conditions for extended periods may affect reliability.

DC Electrical Characteristics (Over the Operating Range, T_A = -40°C to +85°C, V_{CC} = 3.3V ± 10%)

Parameters	Description	Test Conditions ⁽¹⁾	Min.	Typ. ⁽²⁾	Max.	Units
V _{IH}	Input HIGH Voltage	Guaranteed Logic HIGH Level	2.0	—	—	V
V _{IL}	Input LOW Voltage	Guaranteed Logic LOW Level	-0.5	—	0.8	
I _{IH}	Input HIGH Current	V _{CC} = Max., V _{IN} = V _{CC}	—	—	±1	μA
I _{IL}	Input LOW Current	V _{CC} = Max., V _{IN} = GND	—	—	±1	
I _O	B-port Pulldown Current	V _{CC} = Min., V _O = V _{CC} SEL = High for B1 SEL = Low for B2	2.5	3.8	—	mA
V _{IK}	Clamp diode Voltage	V _{CC} = Min., I _{IN} = -18mA	—	-0.73	-1.2	V
R _{ON}	Switch On Resistance ⁽⁴⁾	V _{CC} = Min., V _{IN} = 0.0V I _{ON} = 48mA or 64mA	—	9	12	Ω
		V _{CC} = Min., V _{IN} = 2.4V I _{ON} = 15mA	—	16	23	

Capacitance (T_A = 25°C f = 1 MHz)

Parameters ⁽⁵⁾	Description	Test Conditions	Typ.	Max.	Units
C _{IN}	Input Capacitance	V _{IN} = 0V	3.5	—	pF
C _{ON}	A/B Capacitance, Switch On		9.3	11	

Notes:

- For Max. or Min. conditions, use appropriate value specified under Electrical Characteristics for the applicable device type.
- Typical values are at V_{CC} = 3.3V, T_A = 25°C ambient and maximum loading.
- Not more than one output should be shorted at one time. Duration of the test should not exceed one second.
- Measured by the voltage drop between A and B pin at indicated current through the switch. ON resistance is determined by the lower of the voltages on the two (A,B) pins.
- This parameter is determined by device characterization but is not production tested.

Power Supply Characteristics

Parameters	Description	Test Conditions ⁽¹⁾	Min.	Typ. ⁽²⁾	Max.	Units
I _{CC}	Quiescent Power Supply Current	V _{CC} = Max., V _{IN} = GND or V _{CC}	—	260	850	μA
ΔI _{CC}	Supply Current per Input @ TTL HIGH	V _{CC} = Max., V _{IN} = 3.0V ⁽³⁾	—	—	750	

Notes:

1. For Max. or Min. conditions, use appropriate value specified under Electrical Characteristics for the applicable device.
2. Typical values are at V_{CC} = 3.3V, +25°C ambient.
3. Per TTL driven input (control inputs only); A and B pins do not contribute to I_{CC}.
4. This current applies to the control inputs only and represent the current required to switch internal capacitance at the specified frequency. The A and B inputs generate no significant AC or DC currents as they transition. This parameter is not tested, but is guaranteed by design.

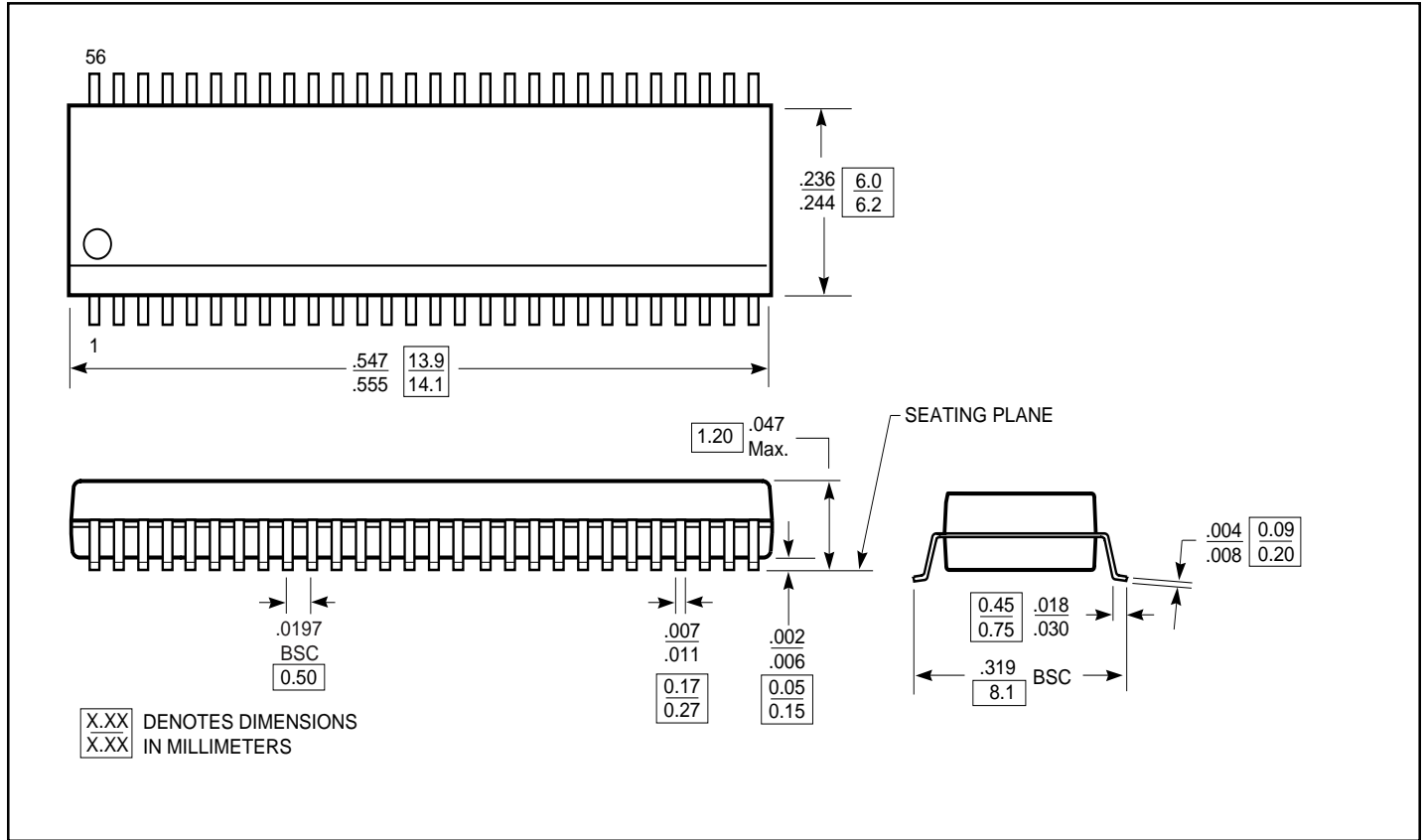
PI3C16225 Switching Characteristics Over Operating Range

Parameters	Description	Conditions ⁽¹⁾	Com.		Units
			Min.	Max.	
t _{PLH} t _{PHL}	Propogation Delay ^(2,3) Ax to Bx, Bx to Ax	C _L = 25pF R _L = 500Ω	—	0.5	ns
t _{PZH} t _{PZL}	Bus Enable Time S ₀ to Ax or Bx	C _L = 25pF R _L = 500Ω	1.3	6.5	
t _{PHZ} t _{PLZ}	Bus Disable Time S ₀ to Ax or Bx	R = 500Ω	1.5	5.5	

Notes:

1. See test circuit and waveforms.
2. This parameter is guaranteed but not tested on Propagation Delays.
3. The bus switch contributes no propagational delay other than the RC delay of the ON resistance of the switch and the load capacitance. The time constant for the switch alone is of the order of 0.5ns for 25pF load. Since this time constant is much smaller than the rise/fall times of typical driving signals, it adds very little propagational delay to the system. Propagational delay of the bus switch when used in a system is determined by the driving circuit on the driving side of the switch and its interaction with the load on the driven side.

56-Pin TSSOP (A) Package



Ordering Information

Part	Pin - Package	Width	Temperature
PI3C16225A	56 - TSSOP (A)	240-mil	-40°C to 85°C